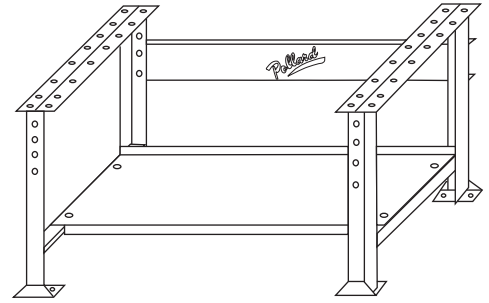
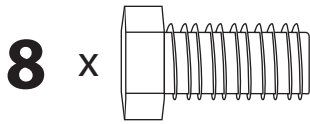
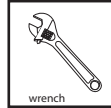


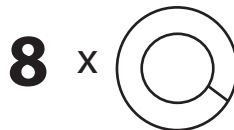
Stringer & Shelf Assembly Instructions



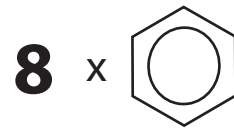
Tools Needed:



8 x
3/8" x 3/4" Hex Head
Machine Screw



8 x
3/8" Lock Washer
(124s only)

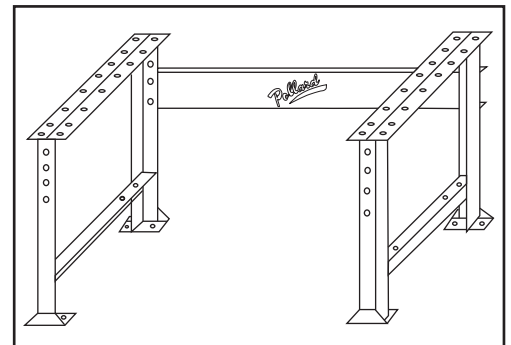


8 x
3/8" Hex Nut

Note: (4) additional 3/8" x 3/4" Hex Head Machine Screws are provided for 8' & 10' benches.

1

Stand up Pollard Legs and Attach stringer to the back leg uprights using (4) 3/8" x 3/4" Hex Head Machine Screws, 3/8" hex nuts, and 3/8" washers. **(HAND TIGHTEN ONLY if attaching a shelf. If only attaching stringer then tighten all bolts.)**



2

Attach shelf to bench leg crosses with the full form faced up to the back and the notched form faced down in the front using (4) 3/8" x 3/4" Hex Head Machine Screws, 3/8" hex nuts, and 3/8" washers. **TIGHTEN ALL HARDWARE.**

